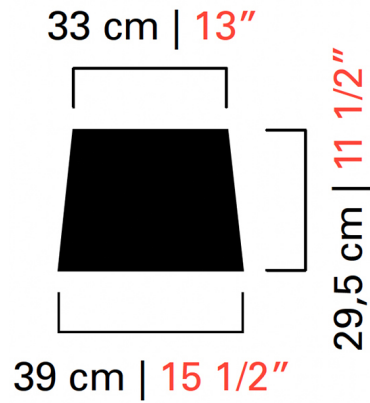
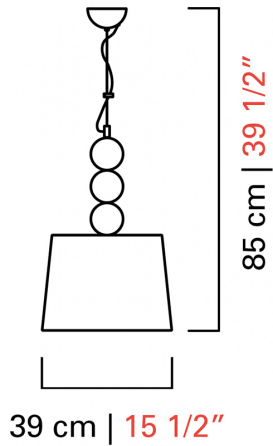




Barovier&Toso

VENEZIA 1295



# 5578

---

COLLECTION	Marta
TYPOLOGY	Suspension lamps
HEIGHT	85 cm <i>33 1/2 inc</i>
DIAMETER	40 cm <i>16 inc</i>
WEIGHT	8 Kg <i>18 lbs</i>
SWITCHINGS	1
BULBS	1 x 100 E27 dimmable not included <i>1 x 100 E26 dimmable not included</i>
CERTIFICATIONS	UL - EAC - cULus